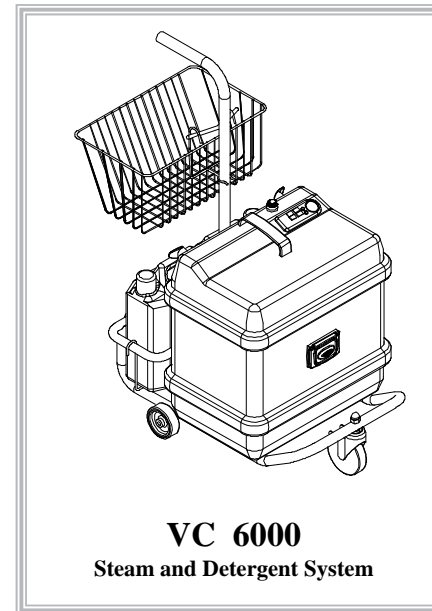
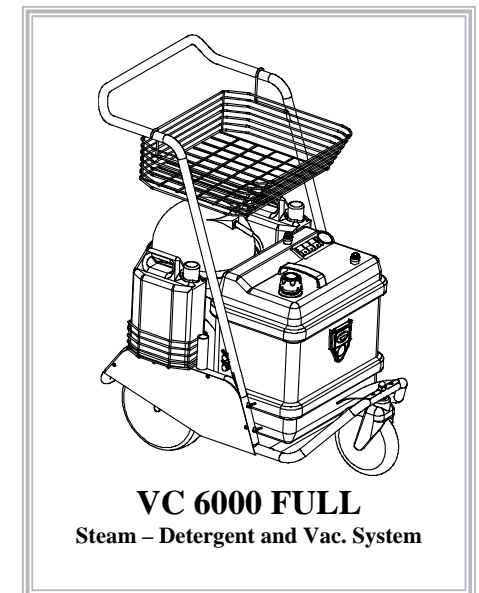


INSTRUCTIONS FOR USE



PROFESSIONAL CLEANING SYSTEMS



Stampa: Novaprint 0424.539449 - www.novaprint.it - cod. 10161094000



TPA IMPEX spa

Piazzetta Albere, 3/4
36060 Romano d'Ezzelino (Loc. Fellette) - Vicenza - Italy
Tel. +39 (0) 424832777 - Fax +39 (0) 424832778
E-mail: tpaimpex@tpaimpex.it - web: <http://www.tpaimpex.it>

INTRODUCTION

Before performing any operation on the machine, carefully read this manual.

It contains all the information necessary for accident-free operation, ensuring the safety of the operator and all persons working nearby, and respect for the environment. Correct use of this manual enables the user to keep the machine in good condition, reduces breakdowns and consequently repair costs and machine down time.

Keep the manual in a suitable place where it can be easily accessed by the operator whenever required.

DESCRIPTION

The product permits steam-cleaning of machinery, refrigerators, ovens, work tables, floors, windows etc. reducing the use of detergents, disinfectants and solvents, and eliminating serious problems of disposal, bad smells and toxic residues.

Cleaning System functions:

For commercial use

VC 6000	VC 6000 Full
<ul style="list-style-type: none">• Cleaning with steam• Detergent injection	<ul style="list-style-type: none">• Cleaning with steam• Detergent injection• Dust vacuum cleaning• Liquid vacuum cleaning

WARNING!

TO PREVENT SCALDING OR BURNING, KEEP BODY AWAY FROM VAPOR OUTPUT NOZZLES.

IMPORTANT SAFETY INSTRUCTIONS

READ ALL INSTRUCTIONS BEFORE USING THE VAPOR CLEANING SYSTEM.

When using the Cleaning System, always use basic precaution, including the following:

Warning – To reduce the risk of fire, electrical shock or injury:

1. Do not leave appliance when plugged in. Unplug the Cleaning System from outlet when not in use, or before servicing.
2. Do not allow the Cleaning System to be used as a toy. Close attention is necessary when the system is being used around children. Never allow children to use or play with the system.
3. Use only as described in the manual. Only use original manufacturer attachments.
4. Do not use the Cleaning System with a damaged cord or plug. If the Cleaning System has been dropped, damaged, left outdoors, or submersed in water, return the System to the SERVICE .
5. Do not pull or carry the Cleaning System by the cord.
6. Do not use the cord as a handle. Never close a door on the cord. Never pull it around edges or corners. Never run appliances over the cord. Keep cord away from heated surfaces.

WARRANTY

TPA Impex SPA guarantees the product against all manufacturing or material defects for 12 months from the date of sale.

Warranty conditions :

- The warranty does not cover failures resulting from normal machine wear.
- The warranty lapses in the case of failures, problems or accidents caused by non-observation of these instructions, poor maintenance or inappropriate use of the machine.
- The warranty comprises replacement or repair free of charge of faulty parts, including labour. Recognition of the warranty does not entail any other recognition of damage or compensation for any reason.
- The warranty applies to goods ex our factory or ex branches.

DECLARATION OF CONFORMITY

The undersigned representative of the manufacturer T.P.A. Impex S.p.A. declares that the machine described below :

Description : Machine for steam cleaning with suction and injection of detergent

Models : VC 6000 – VC 6000 FULL

complies with the following directives :

- **UL 499 (UL standard for safety electric heating appliances)**

Disposal and recycling :

The materials making up the machine must not be left lying around. For disposal, follow the legal regulations in force.

Data, specifications and descriptions contained in this document are not binding and can be varied without notice.

©copyright 2008 T.P.A. Impex S.p.A.

Circulation and reproduction, even partial, are prohibited.

Wet & Dry Vacuum Cleaner (Only for VC 6000 Full)

DESCRIPTION AND ASSEMBLY


- A - Motor block.
- B - Switch.
- C - Cartridge filter
- D - Float: its purpose is to avoid that liquid may go inside motor block during suction.
- F - Hooks for tightening of motor block to tank.
- H - Tank.

ATTENTION

In order to keep in good efficiency the machine it is useful to clean the filter after each utilization.

NOISE LEVEL

Values measured according to EN 60704 - 1 (1996) / EN 60704 - 2 - 1 (2000) rules. Measurement A for the sound pressure level of the machine is < 85 dB (A) Under unfavourable feed conditions, the appliance may cause temporary drops in voltage.

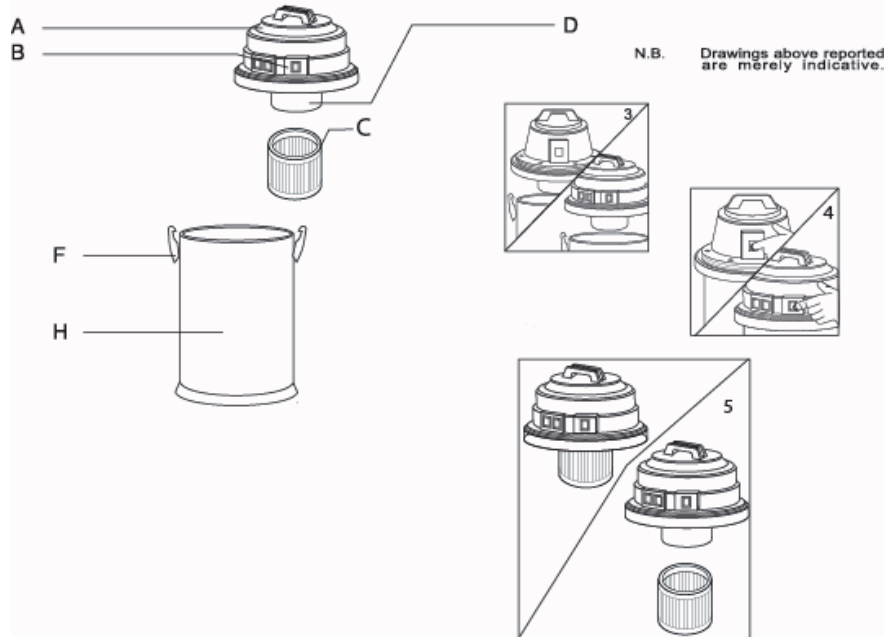
 Do not dispose of power tools into household waste! According to the European Directive 2002/96/EC on waste electrical and electronic equipment and its incorporation into national law, power tools that are no longer suitable for use must be separately collected and sent for recovery in an environmental-friendly manner.

OPERATING INSTRUCTION

- Assembly the head on tank and block it by hooks (Fig. 3)
- Connect the plug to power socket then switch on the equipment (Fig. 4)

LIQUID SUCTION / OPERATING INSTRUCTION

- Remove the filter (Fig. 5).
- Assembly the head on tank and block it by hooks (Fig. 3)
- Connect the plug to power socket then switch on the equipment (Fig.4)



7. Do not unplug by pulling the cord. To unplug, grasp the plug, not the cord.
8. Do not handle the plug with wet hands.
9. Do not allow objects to get into the output nozzles. Do not try to operate the Cleaning System with any of the openings blocked. Keep opening free of dust, lint, hair, or anything that reduce the Steam flow.
10. Keep all parts of the body away from output nozzles and moving parts of the System.
11. Use extra care when using the Cleaning System on stairs.
12. Use extra care when cleaning around water source (swimming pools, spas, toilets, etc.)
13. Do not use the Cleaning System to clean animals.
14. Never point the steam toward humans or animals.
15. Turn off all controls before unplugging the Vapor System.
16. Do not fill the Cleaning System with anything but clean tap water.
17. To reduce the risk of electric shock – use indoors only
18. Do not use to pick up flammable or combustible liquids, such as gasoline, or use in areas where they may be present.
19. Connect to a properly grounded outlet only. See Grounding Instructions
20. Do not pick up anything that is burning or smoking such as cigarettes, matches, or hot ashes.

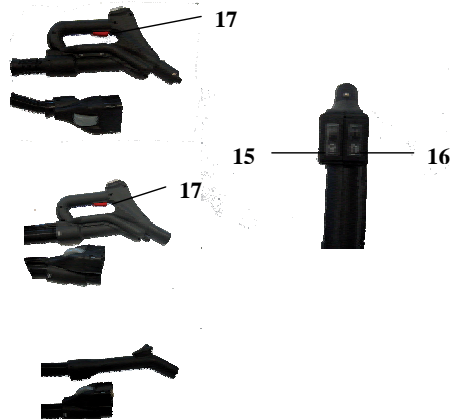
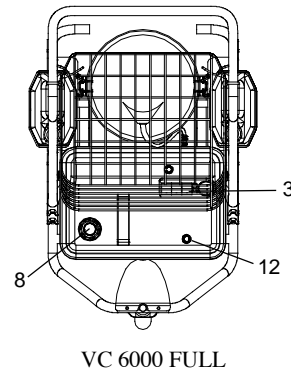
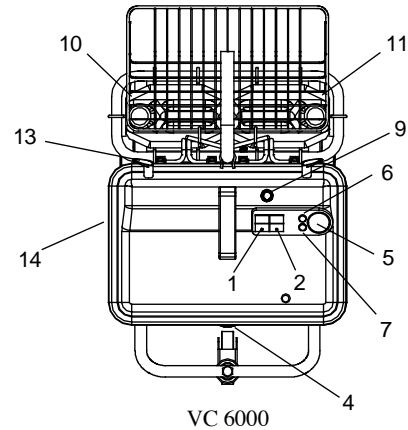
SAVE THESE INSTRUCTIONS

TECHNICAL SPECIFICATIONS

Descriptions	VC 6000	VC 6000 FULL
➤ Stainless steel boiler capacity	3 lt.	3 lt.
➤ Capacity cold water tank	5 lt.	5 lt.
➤ Capacity detergent tank	5 lt.	5 lt.
➤ Heating time	6,5min.	6,5min.
➤ Operating pressure	600 kPa (6 bar)	600 kPa (6bar)
➤ Max. temperature Thermostat	165 C°	165 C°
➤ Boiler power	1000+700W	1000+700W
➤ Pump power	(41x2)W	(41x2)W
➤ Vacuum power 1000 W.	//	//
➤ Total power	1782W(14,8A)	1782W(14,8A)
➤ Voltage	120 V - 60 Hz.	120 V - 60 Hz.
➤ Weight with trolley	27 Kg	32 Kg
➤ Power cord	4 mt.	4 mt.
Machine safety devices:		
➤ Bleed valve for overpressure	YES	YES
➤ Pressure switch for operating pressure control:	YES	YES
➤ Manual reset safety thermostat for boiler temperature control.	YES	YES
➤ 12 V low voltage handgrip controls.	YES	YES
➤ Anti-opening safety cup with sensor	YES	YES
➤ Cleaning boiler cup	YES	YES

Cleaning System details

1. Main switch with light
2. Boiler switch with light
3. Vacuum switch (only VC 6000 FULL)
4. Socket
5. Pressure gauge
6. No water warning light
7. Work enable pilot light
8. Anti-opening cup with water level sensor
9. Steam adjustment
10. Water tank
11. Detergent tank
12. Detergent adjustment (Only VC 6000 FULL)
13. Power cord
14. Cleaning boiler cup
15. Steam switch
16. Water switch
17. Red switch
18. Detergent connection tubes
19. Water connection tubes
20. Vacuum switch
21. Electrical sensor
22. "O" ring safety cup



Steam hose (1)

Steam/Vac hose (18)

Gru.Handle SW.SY (33)

GROUNDING GROUNDING INSTRUCTIONS

WARNING!

Your Vapor Cleaning System **MUST BE PLUGGED INTO A GROUNDED OUTLET**, or electrical shock can occur. Check with a qualified electrician if you do not know if the outlet is grounded.

Do not modify the plug provided with the Vapor System, if it will not fit the outlet, than have a proper outlet installed by a qualified electrician.

NOTE:

In Canada, the use of a temporary adaptor is not permitted by the Canadian Electrical Code.

NOTE:

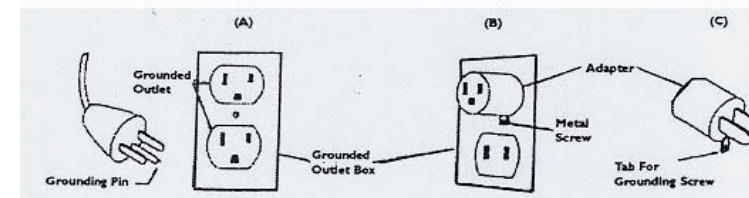
In the event that an extension cord is used with this System, it must be a minimum of 14 gauge, 3 wire, grounded, SJ quality, 60 degree C.

THIS UNIT MUST BE GROUNDED

If the unit should malfunction or break down, grounding provides a path of least resistance of electrical Current to reduce the risk of electrical shock. The unit is equipped with a cord having an equipment grounding conductor and grounding plug. The plug must be inserted into an appropriate outlet that is properly grounded in accordance with all local codes and ordinances.

WARNING – Improper connection of the equipment-grounding conductor can result in a risk of electric Shock. Check with a qualified electrician or service person if you are in doubt as to whether the outlet is properly grounded. Do not modify the plug provide with the appliance – if it will not fit the outlet, have a proper outlet installed by a qualified electrician.

This unit is designed for use with a normal 110/120 volt circuit, and has a grounded plug that looks like the Plug illustrated in sketch (A). A temporary adaptor that looks like the one illustrated in sketch (B) or (C) may be used to connect the plug to a 2 pole receptacle as shown in sketch (B) if a properly grounded outlet is not available. The temporary adapter should only be used until a properly grounded outlet sketch (A) can be installed by a qualified electrician. Whenever the adapter is used, it must be held in place by a metal screw.



Cobra kit :

- 41 J8014 LARGE BRUSH
- 42 J7314 SMALL BRUSH
- 43 J8015 LIQUID SUCTION ACCESSORY WITH RUBBER STREAP
- 44 J8012 LIQUID SUCTION ACCESSORY WITH NYLON BRISTLES
- 45 J7326 LIQUID SUCTION ACCESSORY RUBBER/ NYLON
- 46 J7348 ECCENTRIC ACCESSORY WITH NATURAL HAIR BRISTLES
- 47 J7967 ECCENTRIC ACCESSORY WITH NYLON BRISTLES
- 48 J7664 DRY VACUUM ACCESSORY
- 49 J7905 MEASURE BOTTLE 1,7l
- 50 J7661 DETERGENT BOTTLE



MAINTENANCE

Cleaning the boiler : **ONLY WITH COLD MACHINE**

- Disconnect a power cord plug from general socket.

FOR VC 6000

- Disconnect a tank (10 and 11) connections.
- Take away a water and detergent tank.
- Unscrewing a discharge cup (14)
- Discharge a dirty water , if the water result to much dirty, repeat for 2 or 3 times this operation.
- Close a discharge cup (14)

FOR VC 6000 FULL

- Disconnect a tank (10 and 11) connections.
- Take away a water and detergent tank.
- Take away a vacuum machine.
- Unscrewing a discharge cup (14)
- Unscrewing a safety cup (8)
- Discharge a dirty water , if the water result to much dirty , repeat for 2 or 3 times this operation inserting a clean water from the hole of safety cup (8).
- Clean the safety cup electrical sensor (21) of calcium and , if damaged a “o” ring (22) .
- Close a discharge cup (14) and fill from the safety cup hole about 1 lt. of water.
- Close a safety cup (8) .



To restart the machine, follow the operations in the paragraph “Machine start”.

CAUTION

Check for any water leaks from the plug below the machine and tighten the plug if necessary.

Detergent/Water Connection tubes



18

Detergent connection tubes

Yellow IN
Red OUT



19

Water connection tubes

Green IN
Bleu OUT

Machine start

- Before you use this appliance, check that the electrical current is the same as the voltage on the appliance’s type-plate.

Steam function :

- Insert the plug into the socket.
- Fill the water tank (10) and ensure that the connection tube (19) is correctly fitted.
- Press the main switch (1) and after the sound stopped press the switch (2) the light goes on.
- **ONLY FOR FIRST STARTUP OR WITH AN EMPTY BOILER**
- If the machine alarm is activated (red light 9 on + audible alarm), turn the switch 2 off, leave it off for at least 5 seconds and then switch it on again.
- Wait for the boiler water filling pump to stop. Filling is automatically performed when required by the water level.
- The heating phase begins, lasting approx. 7 minutes. (intermittent lamp)
- When pilot light 7 come fix, the machine is ready for use.
- Insert the hose plug into the socket 4, ensuring that it is securely fitted.
- Press the steam button (15 steam function selection) and press the red switch (17) on the handgrip and direct the steam jet towards the area to be cleaned.

CAUTION

Before beginning steam cleaning operations, drain the condensation left inside the steam hose into a bucket or other suitable place.

- Fill the tank (11) with water.
- Press the steam button (16 water function selection) and press the red switch (17) on the handgrip and direct the steam/water jet towards the area to be cleaned.

Steam and detergent injection :

- Empty the tank (11) of water
- Fill the detergent tank (11) with a mix of TPA detergent (97% of water + 3% of detergent) and ensure that the connection tube (18) is correctly fitted.
- Start the machine as above.
- Press the red button (17) on the handgrip .

CAUTION

This machine has been designed for use with non-foaming and non-corrosive detergent. Use of foaming and/or corrosive detergent could damage the machine! You are advised to use only the detergent specified by the manufacturer.

Dust – liquid vacuum cleaning function : (only VC 6000 FULL)

- Connect the steam + suction handgrip to the steam socket 4
- Press the switch (20)
- Press the switch (3).
- Vacuum function start.



Cleaning information :

To have a best result of cleaning, use the follow system:

1. Melt the dirty with the steam/detergent function.
2. Vacuum the dirty

CAUTION

This machine is not suitable for collecting dangerous dust!

Water refill :

When the water in the boiler finishes, the machine emits an acoustic signal and the no water warning light 6 (intermittent lamp and sound signal). The steam outlet is blocked.

Perform the following operations:

- Fill the water tank (10) and ensure that the connection tube (19) is correctly fitted.
- Press the switch (17) to restore the cleaning system.

As the boiler is already under pressure, pilot light 7 comes on after a few seconds and the machine is ready to resume work.

ACCESSORIES

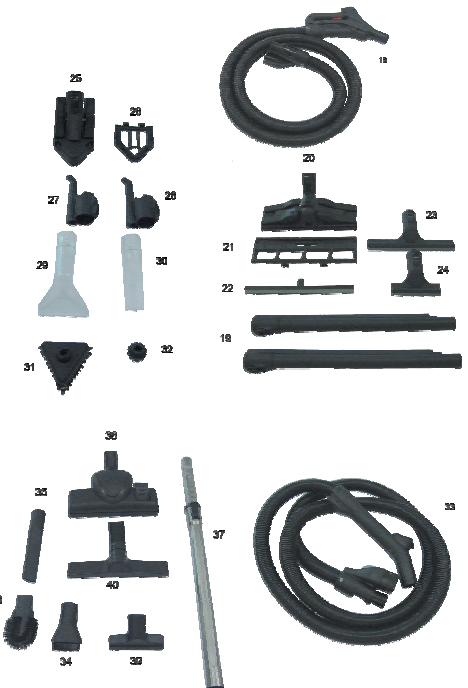
Steam kit :

1	J8349	STEAM HOSE 3.3 m with handle and plug
2	M0006	EXTENSION (2)
3	M0041	FLOOR BRUSH
4	M0055	GLASS CLEANER
5	M0047	TRIANGULAR BRUSH
6	M0029/S12	STEAM LANCE MEDIUM L=250
7	J1565	STEAM LANCE LONG L=350 (Optional)
8	M0062	STEAM LANCE SHORT L=100 (Optional)
9	M0028	STEAM LANCE PLASTIC 1 HOLE
10	M0052	UPHOLST. BRUSH NYLON BRIST. (Optional)
11	D0024	ROUND BRUSH NYLON BRISTLES
12	D0025	TRIANG.BRUSH NYLON BRISTLES
13	J0681	TRIANG.BRUSH STAINL.STEEL B. (Optional)
14	G0018	DETAIL BRUSH NYLON BRISTLES
15	G0126	DETAIL BRUSH BRASS BRISTLES
16	G0125	DETAIL BRUSH STAINL.STEEL BRISTLES
17	J0680	ROUND BRUSH BRASS BRISTLES (Optional)



Steam / Vacuum kit :

18	J8317	STEAM/VAC HOSE 4 m with handle and plug
19	J5619	STEAM/VAC EXTENSION (2)
20	J5753	RECTANGULAR BRUSH AV 4 BRACKETS
21	J6267	RECTANGULAR BRUSH ACCESSORY
22	J5936	LIQUID SUCTION ACCESSORY
23	J5788	GLASS CLEANER GREY L=25
24	J5810	GLASS CLEANER GREY L=12
25	J5584	UPHOLSTERY BRUSH GREY AV
26	D4221	CARPET ACCESSORY MIDDLE SIZ BRUSH
27	J5418	DETAIL NOZZLE GREY AV 1 HOLE
28	J5659	DETAIL NOZZLE GREY AV 3 HOLE
29	J5624	STEAM AND VAC TRASPARENT ACC. FOR DETAIL STEAM NOZZLE
30	J5645	STEAM AND VAC TRASPARENT ACC. FOR DETAIL STEAM NOZZLE
31	D0025	TRIANGULAR BRUSH
32	G0018	DETAIL BRUSH IN NYLON FOR NOZZLE



33	J7502	GRU. HANDLE SW-SY only vacuum
34	J0282	ROTATING BRUSH D.35 BLACK
35	J0285	NOZZLE LANCE D=35 BLACK
36	J0329	RADIATOR BRUSH D=35 BLACK
37	J0330	TELESCOPIC EXTENSION BLACK WITH BUTTON
38	J0283	VAC BRUSH BLACK
39	J0286	VAC NOZZLE LARGE D=35 BLACK
40	J0287	MULTIPURPOSE BRUSH

